

# DesignMax DM6SE

## surface-mount loudspeaker

### Product Overview

With coaxial two-way drivers, the 125-watt DesignMax DM6SE loudspeaker offers rich lows and clear, intelligible highs — along with premium aesthetics that complement any commercial sound installation. The DM6SE features a 6.5-inch woofer and a 1.25-inch coaxial tweeter mounted within the Dispersion Alignment system, delivering a frequency range of 59 Hz – 20 kHz. The DM6SE is surface-mounted, IP55 outdoor-rated, and locks onto a hidden QuickHold U-bracket for fast, secure installation.



### Key Features

**Combine DesignMax models to complete any design, big or small** — 12 loudspeakers to mix and match, from 2-inch, low-profile models to 8-inch, high-SPL compression-driver loudspeakers and outdoor-rated options

**Deliver clear highs and surprising low-end for their size** with coaxial two-way drivers — no DSP or EQ required. For even better sound, combine with select Bose Professional DSPs and amplifiers to enable Bose Professional loudspeaker EQ and SmartBass processing, which expands performance and response at any listening level

**Ensure a consistent listening experience** throughout the room with the Dispersion Alignment system, which matches the coverage of the woofer to the pattern of the tweeter

**Blend with any room design** with elegant form factors, minimum-bezel grilles available in black or white, and removable logos

**Reduce installation time** with the patented QuickHold mounting system, which also reduces strain, hassle, and the chance of product damage

**Install easily with industry-standard accessories** — all models include Euroblock connectors; in-ceiling models include plenum-rated backcans, tile bridges, and front-access audio wiring that makes installation and troubleshooting easier

**Install DM6SE outside** — IP55 rating with standard aluminum grille for outdoor use

### Technical Specifications

| SINGLE LOUDSPEAKER PERFORMANCE            |   |  |
|---|---|--|
| Frequency Response (-3 dB) <sup>1</sup>   | 70 – 20,000 Hz  |  |
| Frequency Range (-10 dB) <sup>1</sup>     | 59 – 20,000 Hz  |  |
| Nominal Coverage Angle (1 – 4 kHz)        | 125° conical  |  |
| Nominal Coverage (1 – 10 kHz)             | 115° conical  |  |
|   | AES transducer test <sup>4</sup>                                    | Bose Professional extended-lifecycle test <sup>5</sup> |
| Power Handling, Long-term Continuous      | 125 W   | 100 W  |
| Power Handling, Peak                      | 500 W   | 400 W  |
| Sensitivity SPL / 1 W @ 1 m <sup>2</sup>  | 90 dB   | 90 dB  |
| Calculated Maximum SPL @ 1 m <sup>3</sup> | 111 dB  | 110 dB   |
| Calculated Maximum SPL @ 1 m, Peak        | 117 dB  | 116 dB   |
| Crossover                                 | 1.7 kHz (passive 2-way crossover)                                   |  |
| Loudspeaker EQ                            | Not required. Bose Professional EQ voicing and SmartBass available. |  |
| Recommended High-Pass Protection          | 65 Hz with minimum 24-dB/octave filter                              |  |
| Transformer taps                          | 70V: 2.5, 5, 10, 20, 40, 80 W, bypass                               |  |
|   | 100V: 5, 10, 20, 40, 80 W, bypass                                   |  |

For additional specifications and application information, please visit [BoseProfessional.com](http://BoseProfessional.com). Specifications subject to change without notice. 01/2025

## TECHNICAL DATA

# DesignMax DM6SE

## surface-mount loudspeaker

| <b>TRANSDUCERS</b>                           |  |
|--|--|
| Low Frequency                                | 1 × 6.5-inch woofer (165 mm), weather treated  |
| High Frequency                               | 1 × 1.25-inch (32 mm) neodymium dome tweeter, coaxially-mounted, weather-treated   |
| Technology                                   | Dispersion Alignment System, 197 mm (7.75 in) system diameter  |
| Nominal Impedance                            | 8 Ω (transformer bypass)   |
| <b>PHYSICAL</b>                              |  |
| Enclosure Material                           | Engineered plastics, highly UV fade-resistant  |
| Bracket Material                             | Powder-coated steel  |
| Grille                                       | Perforated aluminum with powder-coat finish, tamper-resistant design, paintable  |
| Logo   | Rotatable, removable   |
| Color  | Black (RAL 9005), white (RAL 9003), paintable  |
| Environmental/Ingress Protection             | Outdoor per IEC 529 IP55 (suitable for use outdoors in wet locations), includes aluminum grille to prevent red corrosion and weather resistant input cover   |
| Safety Agency                                | UL Listed, UL 1480A, NFPA 70, CE-compliant   |
| Operating Temperature Range                  | -25 °C to 70 °C (-13 °F to 158 °F)   |
| Connectors                                   | Euroblock 6-pin connector with loop-through, mounted on rear. Accepts 18 AWG (0.8 mm <sup>2</sup> ) to 14 AWG (2.5 mm <sup>2</sup> ) size wire.  |
| Suspension/Mounting                          | QuickHold mounting system with included U-bracket and two (2) screw inserts for use with optional pan & tilt bracket<br>4 preset mounting angles: 0°, 15°, 30°, 45° for wall or ceiling placement<br>Insert for safety-tether attachment |
| Dimensions (H × W × D)                       | 340 × 222 × 229 mm (13.4 × 8.7 × 9.0 in)   |
| Dimensions with Bracket (H × W × D)          | 340 × 222 × 245 mm (13.4 × 8.7 × 9.7 in)   |
| Net Weight, Loudspeaker with Grille (Single) | 5.93 kg (13.1 lb)  |
| Shipping Weight (Pair)                       | 14.7 kg (32.5 lb)  |
| Included Accessories                         | U-bracket, powder-coated steel   |
| Optional Accessories                         | Surface-mount pan-and-tilt bracket, CMB S2 ceiling mount bracket   |
| <b>PRODUCT CODES</b>                         |  |
| Black  | 829682-0110 DESIGNMAX DM6SE PAIR BLK   |
| Black (new)                                  | 829682-0120 DESIGNMAX DM6SE PAIR BLK   |
| White  | 829682-0210 DESIGNMAX DM6SE PAIR WHT   |
| White (new)                                  | 829682-0220 DESIGNMAX DM6SE PAIR WHT   |

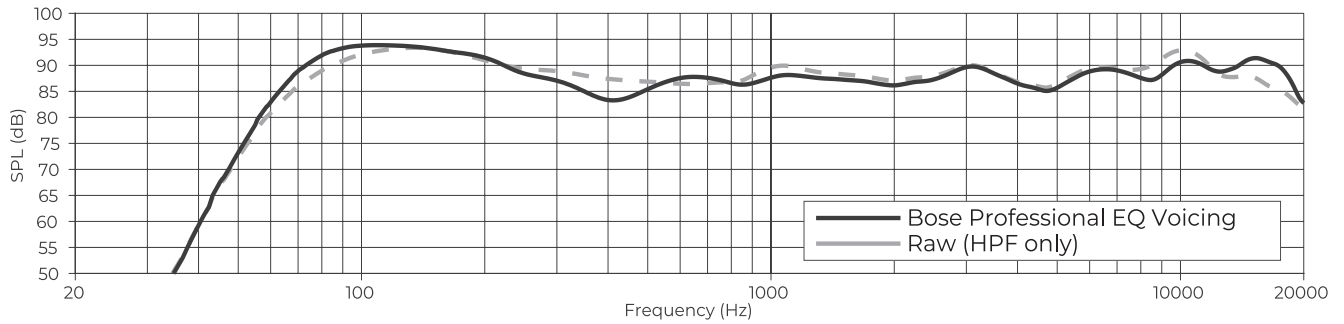
### Footnotes

1. Frequency response and range measured on-axis in half-space environment with Bose Professional EQ voicing.
2. Sensitivity measured on-axis in half-space environment averaged 100 Hz – 10 kHz using recommended high-pass protection.
3. Maximum SPL calculated from sensitivity and power handling specifications, exclusive of power compression.
4. AES standard 2-hour duration with IEC system noise.
5. Bose Professional extended-lifecycle test using pink noise filtered to meet IEC268-5, 6-dB crest factor, 500-hour duration.

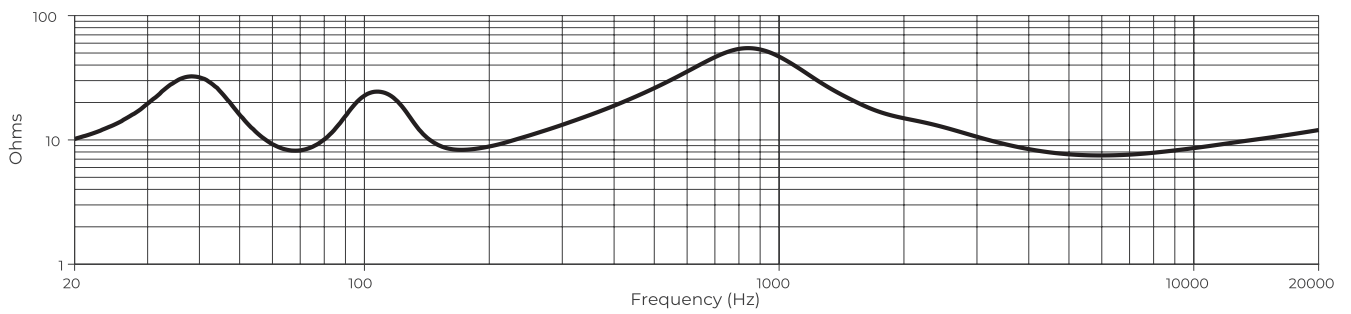
# DesignMax DM6SE

surface-mount loudspeaker

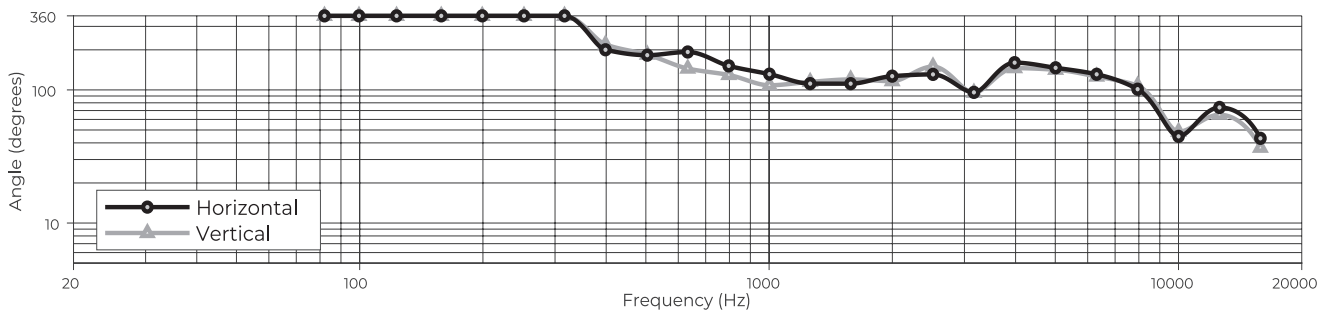
## On-axis Response



## Impedance



## Beamwidth<sup>6</sup>



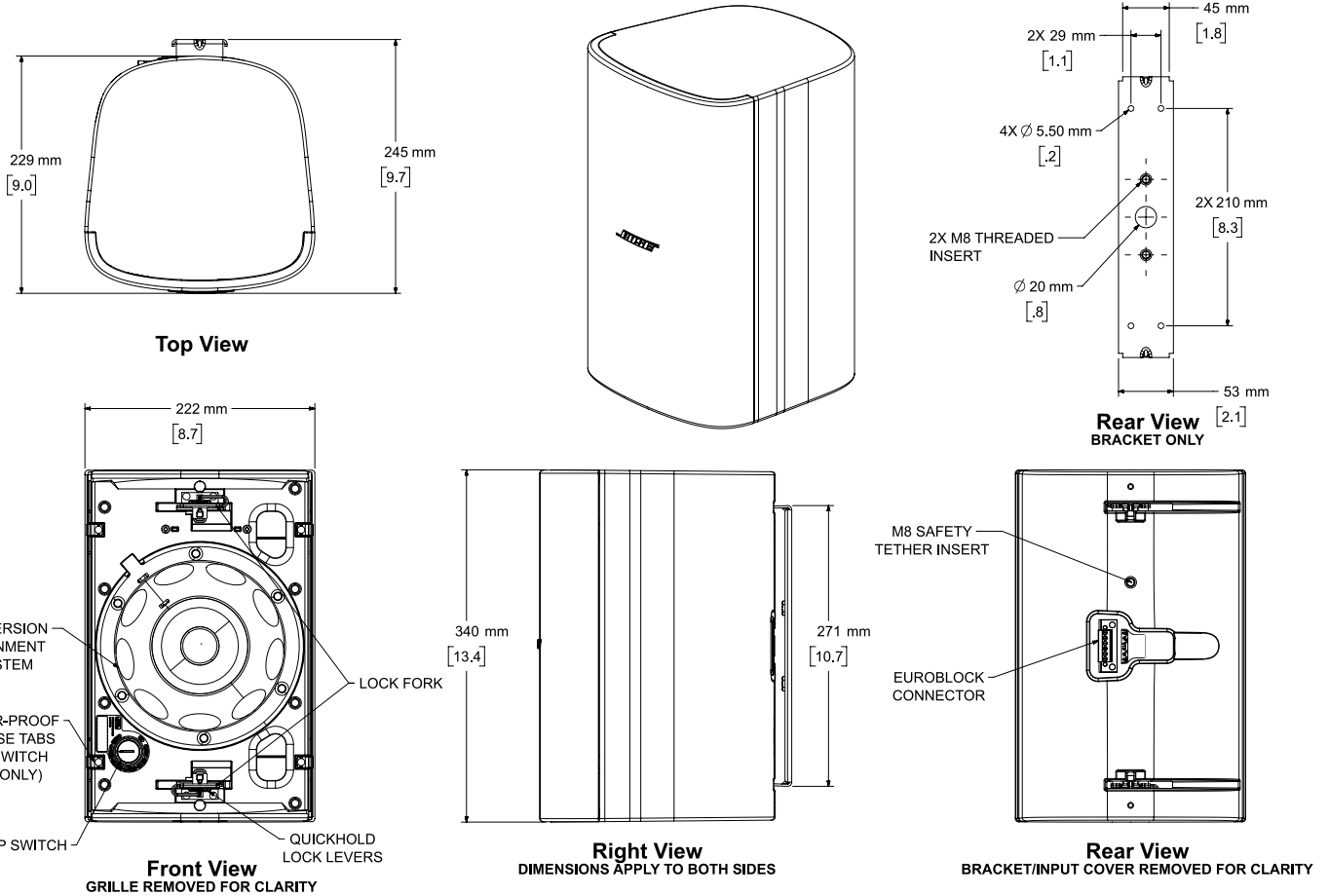
6. Measured in whole-space environment.

TECHNICAL DATA

# DesignMax DM6SE

surface-mount loudspeaker

## Dimensions<sup>7</sup>



7. Dimensions are shown in millimeters over inches.

©2025 Transom Post OpCo LLC. All rights reserved. DesignMax, QuickHold, and SmartBass are trademarks of Transom Post OpCo LLC. Bose is a trademark of Bose Corporation. All other trademarks are the property of their respective owners.

For additional specifications and application information, please visit [BoseProfessional.com](https://BoseProfessional.com). Specifications subject to change without notice. 01/2025